

# XR2 433 C - XR2 868 C

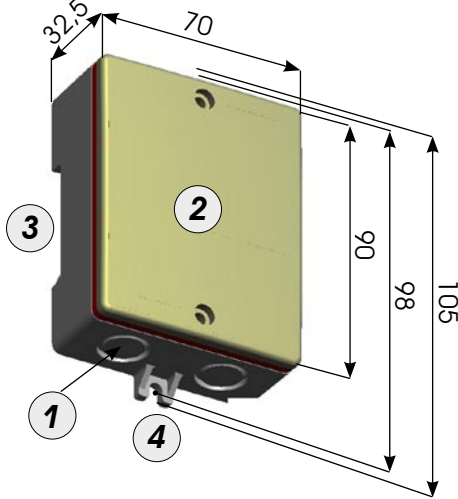
## 1 DESCRIPTION

The XR2 C control board is a two-channel external receiver, which has an integrated decoding system (DS, SLH, LC), named OMNIDEC. When a channel is activated by radio control (DS, SLH, LC), the relevant N.O. relay contact closes by the methods described in chapter 5.

The selectable configurations are:

**CH1 = pulsed N.O. relay output**

**CH2 = pulsed/fixed N.O. relay output (selectable by DS1)**



DS1	ON	OFF
DIP SWITCH 1	OUTPUT CHANNEL 2 FIXED	OUTPUT CHANNEL 2 PULSED
DIP SWITCH 2	NOT USED	NOT USED

- ① Preperforated facility for cable grippers
- ② Cover
- ③ Facility for securing on DIN guide
- ④ Fittings for screw securing
- ⑤ Terminals for command output (N.O.)
- ⑥ Normally open (N.O.) relay contact
- ⑦ Signalling LEDs (ON= OUTPUT ACTIVE)  
DL1=LED CH 1 DL2=LED CH2
- ⑧ Radio programming push-buttons  
SW1=PUSH-BUTTON CH1 SW2=PUSH-BUTTON CH2
- ⑨ DS1 : Selection dip-switch
- ⑩ Power supply terminal
- ⑪ Terminal for antenna
- ⑫ DL3: Mains ON LED ( ON = MAINS PRESENT )

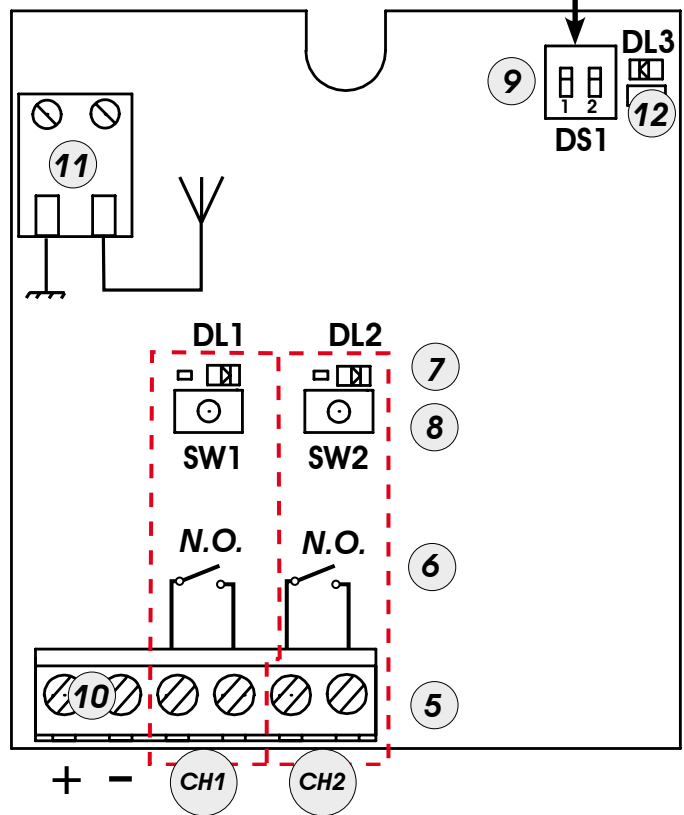




Fig.1

## 2 TECHNICAL SPECIFICATIONS


	XR2 433 C	XR2 868 C
POWER SUPPLY (V)	12/24 ac-dc	12/24 ac-dc
RECEPTION FREQUENCY (MHz)	433.92 ±0.1	868.35±0.2
ABSORBED CURRENT (A)	100 mA	100 mA
DECODING (OMNIDEC SYSTEM)	DS-LC-SLH	DS-SLH
SAVEABLE CODES	250	250
NUMBER OF CHANNELS	2	2
NUMBER OF RELAY OUTPUTS (N.O.)	N 1 pulsed (CH1) N 1 pulsed/fixed (selectable) (CH2)	N 1 pulsed (CH1) N 1 pulsed/fixed (selectable) (CH2)
RELAY CONTACTS CAPACITY	0.5 A / 120 VA	0.5 A / 120 VA
PROTECTION CLASS	IP 44	IP 44
OPERATING AMBIENT TEMPERATURE (°C)	-20 / +55	-20 / +55

### 3 MEMORY STORAGE OF RADIO CONTROLS

-  **At the most, only one type of radio coding can coexist on the XR2 C board. (DS, SLH, LC) .**
-  **A maximum of 250 codes, divided between channels 1 and 2 can be stored in the memory.**

#### 3.1 MEMORY STORAGE OF DS RADIO CONTROLS


- 1) On the DS radio control, select the required ON-OFF combination for the 12 dip-switches.
- 2) Press for 1 second the push-button on the receiver (Fig. 1 ref. ⑧) relating to the channel you wish to associate with the radio control.
- 3) The relevant LED on the receiver (Fig. 1 ref. ⑦) begins to flash slowly for 5 secs.
- 4) Within these 5 secs., press the appropriate push-button on the radio control.
- 5) The relevant LED (Fig. 1 ref. ⑦) lights up on steady beam for 1 second and then goes OFF, indicating that storage was executed.

 **The board will send a command to the output associated with the channel.**

- 6) To add other radio controls, set the same ON - OFF combination used in point 1).

#### 3.2 MEMORY STORAGE OF SLH RADIO CONTROLS


- 1) On the SLH **master** radio control, simultaneously press and hold down push-buttons P1 and P2.
- 2) The radio control LED begins to flash (for about 10 secs.).
- 3) Release both push-buttons.
- 4) Press, for 1 second, the push-button on the receiver (Fig. 1 ref. ⑧) relating to the channel you wish to associate with the radio control.
- 5) The relevant LED on the receiver (Fig. 1 ref. ⑦) begins to flash slowly for 5 secs.
- 6) Within these 5 secs., while the radio control LED is still flashing, press and hold down the required push-button on the radio control (the radio control LED lights up on steady beam).
- 7) The LED on the board (Fig. 1 ref. ⑦) lights up on steady beam for 1 second and then goes OFF, indicating that storage was executed.
- 8) Release the radio control push-button.
- 9) Quickly press twice in succession the memory stored radio control push-button.

 **The board will send a command to the output associated with the channel.**

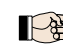
- 10) To add other radio controls, transfer the code of the memory-stored push-button of the radio control to the relevant push-button of the radio controls to be added, observing the following procedure:

- a) On the memory stored radio control, simultaneously press and hold down push-buttons P1 and P2.
- b) The radio control LED begins to flash.
- c) Release both push-buttons.
- d) Press the memory stored push-button and hold it down (the radio control LED lights up on steady beam).

- e) Bring the radio controls near, press and hold down the push-button of the radio control to be added, releasing it only after the double flash of the radio control LED, which indicates learning was executed.
- Quickly press twice the push-button of the new memory stored radio control.

 **The board will send a command to the output associated with the channel.**

#### 3.3 MEMORY STORAGE OF LC RADIO CONTROLS

 **The LC radio coding is available only for certain markets and only for receiver XR2 433C.**

- 1) Press, for 1 second, the push-button on the receiver (Fig. 1 ref. ⑧) relating to the channel you wish to associate with the radio control.
  - 2) The relevant LED on the receiver (Fig. 1 ref. ⑦) begins to flash slowly for 5 secs.
  - 3) Within these 5 secs., press the appropriate push-button on the LC remote control.
  - 4) The LED on the receiver (Fig. 1 ref. ⑦) lights up on steady beam for 1 second, indicating memory storage executed, and then resumes flashing for another 5 secs., during which another radio control can be memory stored.
  - 5) When the 5 secs. have elapsed, the LED goes OFF indicating the end of the procedure.
  - 6) To memory store other radio controls, repeat the previous procedure.
- If you wish to proceed in remote mode, (without opening the receiver container), follow the procedure below:
- a) Take an already memory stored radio control.
  - b) Press and simultaneously hold down push-buttons P1 and P2 until the flashing light of the LED (Fig. 1 ref. ⑦) on the receiver board lights up.
  - c) The LED will flash slowly for 5 secs.
  - d) Within 5 secs. press the push-button of the radio control that had been memory stored to enable learning on the selected channel.
  - e) The LED on the board relating to the channel being learned flashes for 5 secs., within which time the code of another radio control must be transmitted.
  - f) The LED (Fig. 1 ref. ⑦) lights up on steady beam for 2 seconds, indicating memory storage executed, and then resumes flashing for 5 secs., during which point "e" can be repeated, and also the subsequent points, for other remote controls and finally goes OFF.

#### 4 DELETION OF ALL RADIO CONTROLS

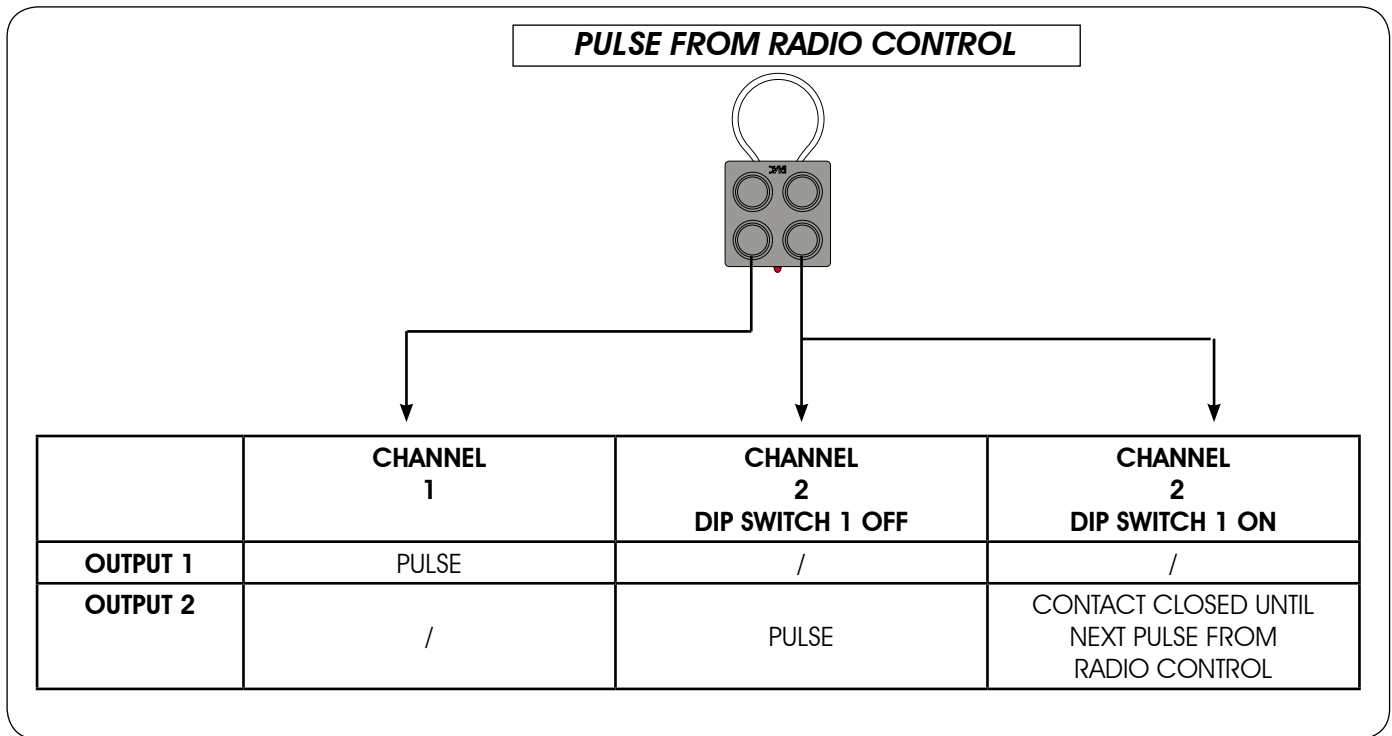
- 1) To delete **ALL** the radio control codes associated with channels 1 and 2, hold down push-button SW1 or SW2 (Fig. 1 ref. ⑧) for 10 seconds.
- 2) The LED (Fig. 1 ref. ⑦) relating to the pressed push-button flashes for the first 5 secs., and then flashes more quickly for the next 5 secs.
- 3) The LED lights up on steady beam for 2 secs and then goes OFF.
- 4) Release the pressed push-button when both the relevant LED lights up on a steady beam.

 **This operation is NOT reversible.**

**5 FUNCTION LOGIC**



You can command the receiver channels from different radio controls. (E.g.: radio control 1 commands channel 1, radio control 2 commands channel 2)



ENGLISH